

PART NAME

CLASSIC II RACK

PART No.

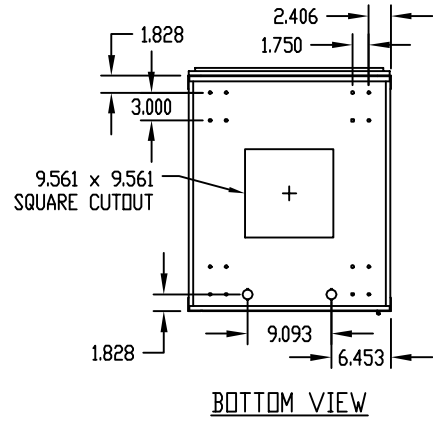
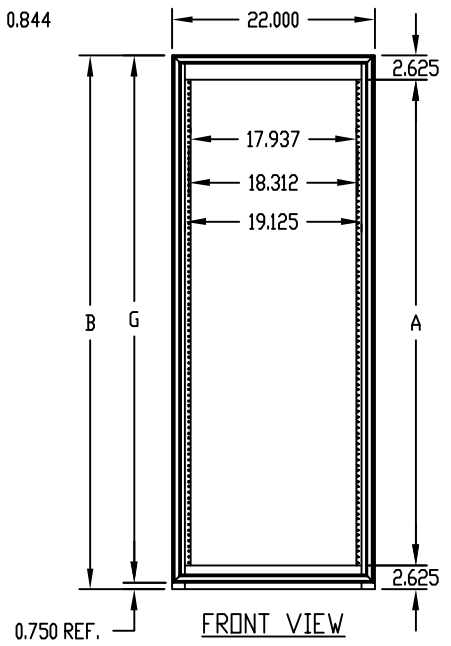
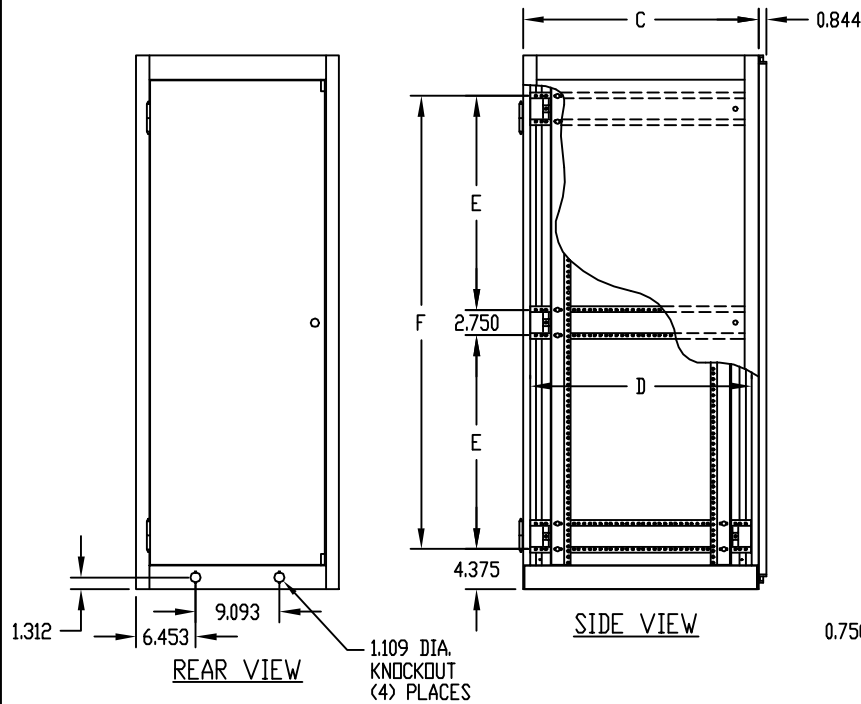
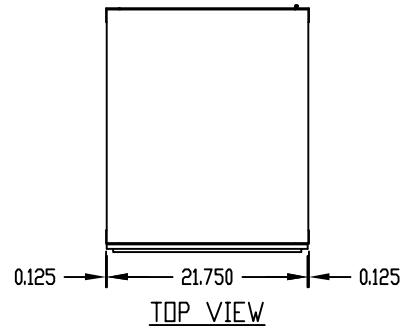
AGR-9522 TO AGR-9546

**MATERIAL**

PANEL MOUNTING RAILS \_\_\_\_\_ 12 GA. C.R.S.  
 VERTICAL RAILS & FILLERS \_\_\_\_\_ 14 GA. STEEL  
 TOP, BOTTOM, & RAIL SUPPORTS \_\_\_\_\_ 16 GA. STEEL  
 DOOR STIFFENER \_\_\_\_\_ 18 GA. STEEL  
 SIDES & DOOR \_\_\_\_\_ 20 GA. STEEL  
 TRIM EXTRUSIONS \_\_\_\_\_ ALUMINUM

**FINISH**

FRAME ASSEMBLY, SIDES  
 & DOOR ASSEMBLY \_\_\_\_\_ GRAY TEXTURE  
 \_\_\_\_\_ ROYAL BLUE TEXTURE  
 TRIM EXTRUSIONS \_\_\_\_\_ CAUSTIC ETCHED & CLEAR ANODIZED  
 WITH BLACK INSERT  
 PANEL MOUNTING RAILS \_\_\_\_\_ BLACK



PANEL MOUNTING RAILS ARE TAPPED #10-32 ON E.I.A. UNIVERSAL SPACING AND ARE FULLY ADJUSTABLE.  
 BOTTOM PIERCED FOR RC-7758 CASTERS.  
 LOAD RATING: 1200 LBS. MAX.

OPTIONAL ACCESSORY

PART NO.	PANEL SPACE A	B	C	D	E	F	G	STEEL FRONT DOORS PART NO.
AGR-9522	42.000	47.312	18.500	17.000	—	38.562	46.562	AGD-932
AGR-9523	52.500	57.812			—	49.062	57.062	AGD-933
AGR-9524	61.250	66.562			27.531	57.812	65.812	AGD-934
AGR-9525	70.000	75.312			31.906	66.562	74.562	AGD-935
AGR-9526	78.750	84.062	18.500	17.000	36.281	75.312	83.312	AGD-937
AGR-9532	42.000	47.312	25.500	24.000	—	38.562	46.562	AGD-932
AGR-9533	52.500	57.812			—	49.062	57.062	AGD-933
AGR-9534	61.250	66.562			27.531	57.812	65.812	AGD-934
AGR-9535	70.000	75.312			31.906	66.562	74.562	AGD-935
AGR-9536	78.750	84.062	25.500	24.000	36.281	75.312	83.312	AGD-937
AGR-9542	42.000	47.312	30.750	29.250	—	38.562	46.562	AGD-932
AGR-9543	52.500	57.812			—	49.062	57.062	AGD-933
AGR-9544	61.250	66.562			27.531	57.812	65.812	AGD-934
AGR-9545	70.000	75.312			31.906	66.562	74.562	AGD-935
AGR-9546	78.750	84.062	30.750	29.250	36.281	75.312	83.312	AGD-937